

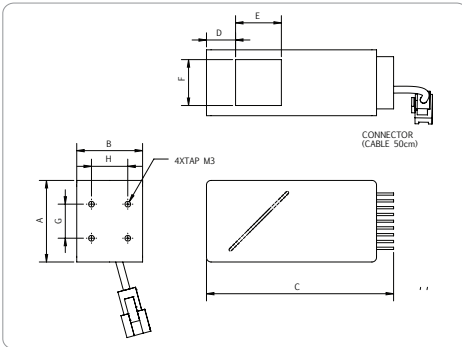
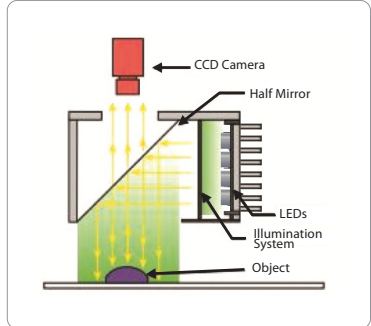
# High Power LED Illumination



## HCAS - High Power Co-axial Light

HCAS series provide high power co-axial illumination for telecentric lenses. The light is reflected by 45 degrees half mirror to provide light in line with the camera.

HCAS is five times (5x) brighter than CAS.



### Technical Specification:

- Color Red, Green, Blue and White
- 24V DC Input Power
- Continuous and Strobe Applications
- Compact Size
- Lighting Cable 500mm

### Customize Lighting:

- Customize Sizes, Mounting requirements
- Color and Voltage Available
- Consult Technical Sales for More Information

Model	Dimensions (MM)									Color	Voltage / Watt	Current
	A	B	C	D	E	F	G	H	TAP HOLE			
HCAS-00-010-X-X	36	29	82.4	14	18	18	15	16	M3	●●○ 24V / 4.8W 150mA ●●○ 24V / 4.8W 150mA	150mA	
HCAS-00-020-X-X	45.8	39	92	15.5	25	24	20	20	M4	●●○ 24V / 4.8W 150mA ●●○ 24V / 4.8W 150mA	150mA	
HCAS-00-040-X-X	66	60	126	14	48	48	25	25	M5	●●○ 24V / 14.4W 400mA ●●○ 24V / 14.4W 400mA	400mA	