

High Power LED Illumination

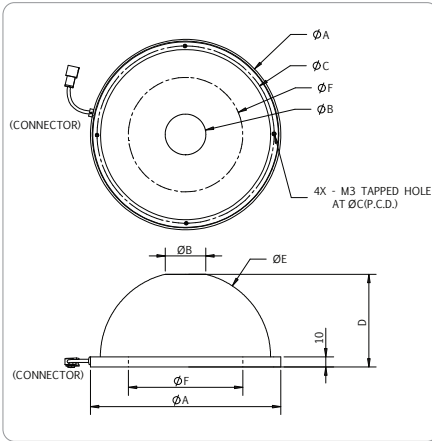
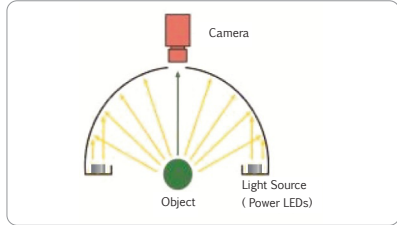


HIDS SERIES - High Power Even Illumination For All Angles

HIDS series is a high power light shine from a conical surface providing illumination from all angles.

HIDS is three times (3x) brighter than IDS3.

Application: crack, chip, stains on circular or cylindrical objects, solder inspection and substrate inspection.



Technical Specification:

- Color Red, Green, Blue and White
- 24V DC Input Power
- Continuous and Strobe Applications
- Compact Size
- Lighting Cable 500mm

Customize Lighting:

- Customize Sizes, Mounting requirements
- Color and Voltage Available
- Consult Technical Sales for More Information

Model	Dimensions [MM]						Color	Voltage / Watt	Current
	ØA	B	ØC	D	ØE	ØF			
HIDS-00-150-1-X	185	40	172	89.8	165	113	● ● ● ● ● ● ● ●	24V / 19.2W 24V / 21.6W	400mA 600mA
HIDS-00-200-1-X	232	50	222	112.8	212	160	● ● ● ● ● ● ● ●	24V / 18W 24V / 28.8W	500mA 800mA
HIDS-00-250-1-X	284	50	272	139.4	261.6	210	● ● ● ● ● ● ● ●	24V / 25.2W 24V / 36W	700mA 1000mA