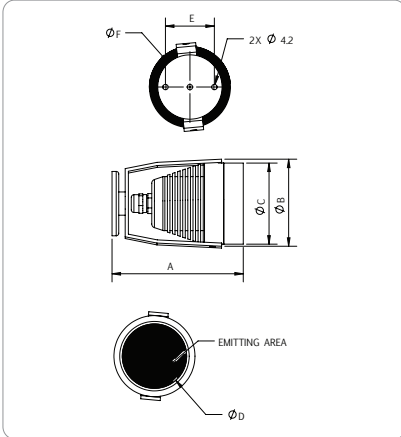
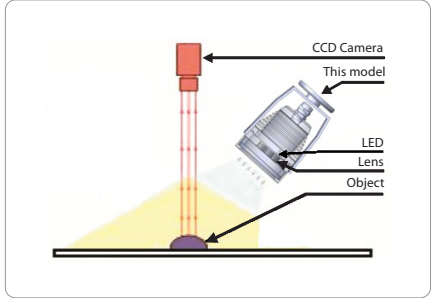


# High Power LED Illumination



## HSBT SERIES - High Luminosity Angular Illumination

HSBT series is a high power angular illumination to provide application that requires high intensity illumination.



### Technical Specification:

- Color Red, Green, Blue and White
- 24V DC Input Power
- Continuous and Strobe Applications
- Compact Size
- Lighting Cable 500mm

### Customize Lighting:

- Customize Sizes, Mounting requirements
- Color and Voltage Available
- Consult Technical Sales for More Information

Model	Dimensions (MM)						Color	Voltage / Watt	Current
	A	B	ØC	ØD	E	ØF			
HSBT-00-060-X-X	102	68	63	51	38	51	● ● ● ● ● ●	24V / 7.2W	150mA
HSBT-00-080-X-X	112	90	85	68.5	45	60	● ● ● ● ● ●	24V / 14.4W	300mA