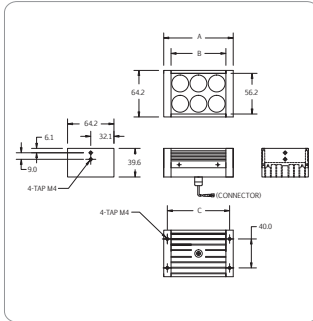
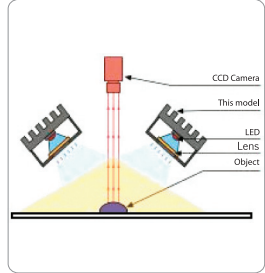
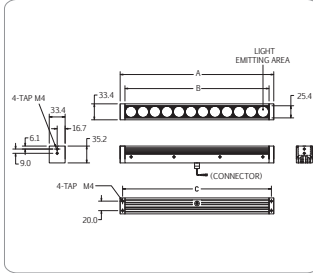


# High Power LED Illumination

## HBL2 SERIES – High luminosity line spot light

HBL2 series is a high power bar spot illumination to provide application that requires high intensity illumination.



**Technical Specification:**

- Color Red, Green, Blue and White
- 24V DC Input Power
- Continuous and Strobe Applications
- Compact Size
- Lighting Cable 500mm

**Customize Lighting:**

- Customize Sizes, Mounting requirements
- Color and Voltage Available
- Consult Technical Sales for More Information

Model	Dimensions (MM)			Color	Voltage / Watt	Current
	A	B	C			
HBL2-00-300-1-X	322.5	302.5	312.5	●●○	24V / 9.6W	400mA
HBL2-00-600-1-X	624.5	604.5	614.5	●●○	24V / 19.2W	800mA
HBL2-00-900-1-X	927	907	917	●●○	24V / 28.8W	1200mA
HBL2-00-1050-1-X	1078	1058	1068	●●○	24V / 33.6W	1400mA
HBL2-00-100-2-X	96	76	86	●●○	24V / 4.8W	200mA
HBL2-00-150-2-X	171.5	151.5	161.5	●●○	24V / 9.6W	400mA
HBL2-00-300-2-X	322.5	302.5	312.5	●●○	24V / 19.2W	800mA

Remark: New dimension update for new generation.