

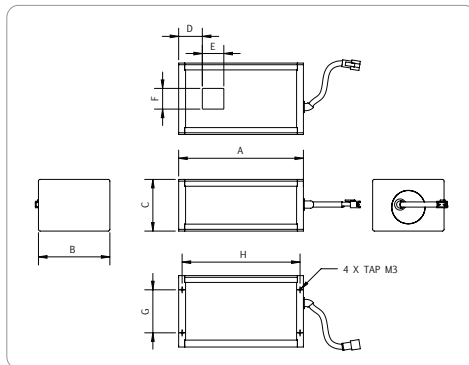
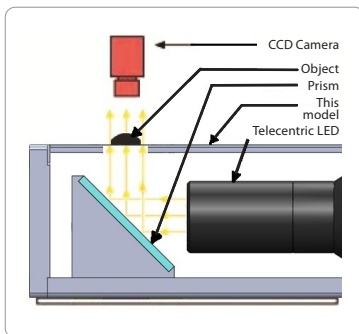
Telecentric Illumination



BHT SERIES - Telecentric Back Light

BHT series provide telecentric back light illumination for bi-telecentric lenses. The light are reflect by 45 degrees prism to provide light in line with camera.

Application: lead frame inspection, shape recognition, size measurement.



Technical Specification:

- Color Red, Green, Blue and White
- 5V DC Input Power
- Continuous and Strobe Applications
- Compact Size
- Lighting Cable 500mm

Customize Lighting:

- Customize Sizes, Mounting requirements
- Color and Voltage Available
- Consult Technical Sales for More Information

Model	Dimensions (MM)								Color	Voltage / Watt	Current
	A	B	C	D	E	F	G	H			
BHT-00-020-1-X	145	83	60	27.5	25	24	50	137	● ● ● ○	24V / 1.75W	350mA
BHT-00-040-1-X	220	102	80	23	48	48	60	212	● ● ● ○	24V / 1.75W	350mA