

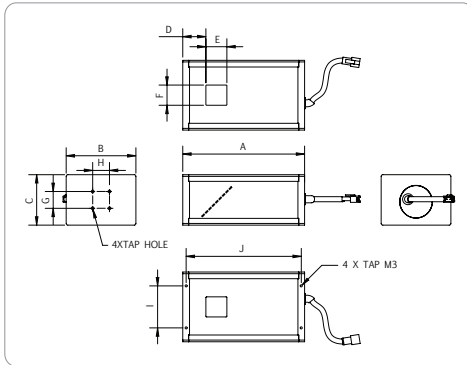
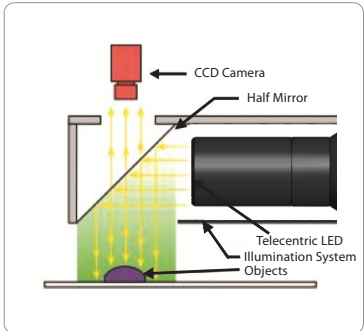
Telecentric Illumination



CAT SERIES - Telecentric Co-axial Light

CAT series provide telecentric co-axial illumination for bi-telecentric lenses. The light are reflect by 45 degrees half mirror to provide light in line with camera.

Application: surface inspection and alignment, wafer, metal surface, film, LCD and glass, pattern on PCB.



Technical Specification:

- Color Red, Green, Blue and White
- 5V DC Input Power
- Continuous and Strobe Applications
- Compact Size
- Lighting Cable 500mm

Customize Lighting:

- Customize Sizes, Mounting requirements
- Color and Voltage Available
- Consult Technical Sales for More Information

Model	Dimensions (MM)										Color	Voltage / Watt	Current
	A	B	C	D	E	F	G	H	I	J			
CAT-00-020-1-X	145	83	60	27.5	25	24	20	20	50	137	M4	● 24V / 1.75W ● 24V / 1.75W	350mA
CAT-00-040-1-X	220	102	80	23	48	48	25	25	60	212	M5	● 24V / 1.75W ● 24V / 1.75W	350mA