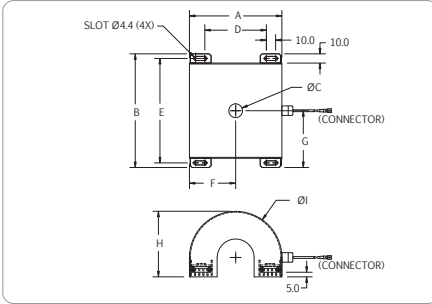
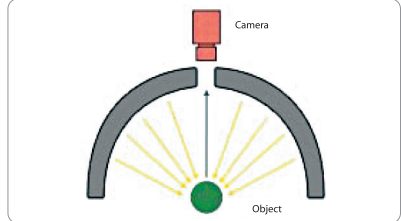


Indirect Illumination

IDT SERIES - Tunnel illumination

IDT series shines from a cylindrical surface to provide a tunnel illumination. The illumination is able to provide even illumination for long cylindrical surface.

Application: Crack, chip, stains and mark on cylindrical surface or shafts.



Technical Specification:

- Color Red, Green, Blue and White
- 24V DC Input Power
- Continuous and Strobe Applications
- Compact Size
- Lighting Cable 500mm

Customize Lighting:

- Customize Sizes, Mounting requirements
- Color and Voltage Available
- Consult Technical Sales for More Information

Model	Dimensions (MM)									Color	Voltage / Watt	Current
	A	B	øC	D	E	F	G	H	øI			
IDT-00-100-1-X	100	123	15	66.6	113	50	61.5	71	100	●●○	24V / 12W	500mA
IDT-00-150-1-X	150	183	25	116.6	173	75	91.5	96	150	●●○	24V / 24W	1000mA
IDT-00-200-1-X	200	183	25	166.6	173	100	91.5	121	200	●●○	24V / 24W	1000mA