

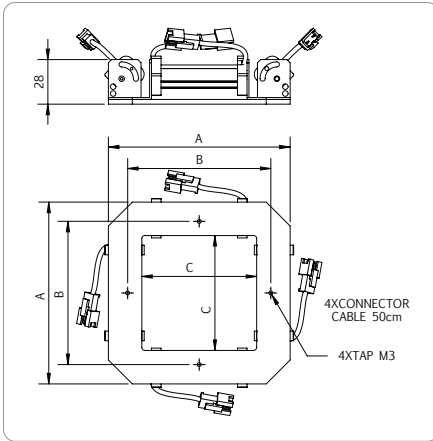
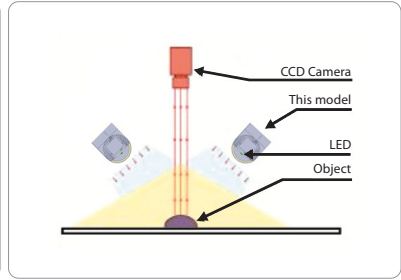
Diffused Illumination



LBDQ SERIES - Diffused Multiple Rectangular Illumination

LBDQ series is combination of 4 light tubes provide an evenness inspection. Each light tube angle can be adjusted for different height application.

Application: label inspection, character inspection, code recognition.



Technical Specification:

- Color Red, Green, Blue and White
- 24V DC Input Power
- Continuous and Strobe Applications
- Compact Size
- Lighting Cable 500mm

Customize Lighting:

- Customize Sizes, Mounting requirements
- Color and Voltage Available
- Consult Technical Sales for More Information

Model	Dimensions (MM)			Color	Voltage / Watt	Current
	A	B	C			
LBDQ-00-050-1-X	114	90	72	<ul style="list-style-type: none"> ● ● ● ● ● ● ● ● 	24V / 2.88W	120mA
LBDQ-00-100-1-X	164	140	122	<ul style="list-style-type: none"> ● ● ● ● ● ● ● ● 	24V / 5.76W	240mA