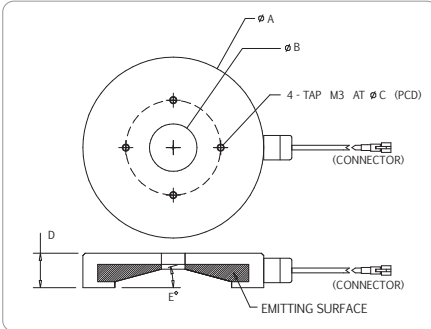
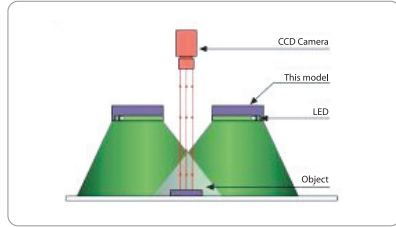
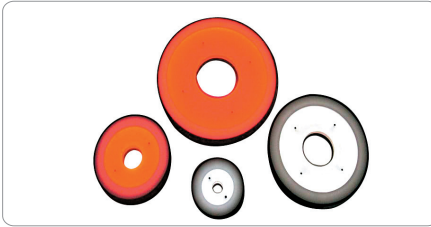


Diffused Illumination

DFR2 SERIES - Diffused angular illumination

DFR2 series provide diffused even illumination over a surface. A conical illumination surface makes it possible to illuminate a work piece from almost any angle.

Application: printed character on IC chips, PCB component, printing on caps, and Wafer OCR inspection.



Technical Specification:

- Color Red, Green, Blue and White
- 24V DC Input Power
- Continuous and Strobe Applications
- Compact Size
- Lighting Cable 500mm

Customize Lighting:

- Customize Sizes, Mounting requirements
- Color and Voltage Available
- Consult Technical Sales for More Information

Model	Dimensions [MM]					Color	Voltage / Watt	Current
	ϕA	ϕB	ϕC	D	E°			
DFR2-00-050-1-X	50.8	8	25	13	0	● ● ○ ● ● ○	24V / 1.08W 24V / 1.44W	45mA 60mA
DFR2-00-070-1-X	76.2	21	52	13	0	● ● ● ○ ● ● ● ○	24V / 1.80W 24V / 2.52W	75mA 105mA
DFR2-00-100-1-X	100	30	80	13	0	● ● ● ● ○ ● ● ● ● ○	24V / 2.52W 24V / 3.60W	105mA 150mA
DFR2-00-120-1-X	126.5	45	106	13	0	● ● ● ● ● ○ ● ● ● ● ● ○	24V / 3.24W 24V / 4.32W	135mA 180mA
DFR2-15-070-1-X	76.2	21	52	13	15	● ● ● ○ ● ● ● ○	24V / 1.80W 24V / 2.52W	75mA 105mA
DFR2-15-100-1-X	100	30	80	15	15	● ● ● ● ○ ● ● ● ● ○	24V / 2.52W 24V / 3.60W	105mA 150mA
DFR2-15-120-1-X	126.5	30	106	18	15	● ● ● ● ● ○ ● ● ● ● ● ○	24V / 3.24W 24V / 4.32W	135mA 180mA
DFR2-30-050-1-X	50.8	8	25	15	30	● ● ● ○ ● ● ● ○	24V / 1.08W 24V / 1.44W	45mA 60mA
DFR2-30-070-1-X	76.2	21	52	15	30	● ● ● ● ○ ● ● ● ● ○	24V / 1.80W 24V / 2.52W	75mA 105mA
DFR2-30-100-1-X	100	30	80	23	30	● ● ● ● ● ○ ● ● ● ● ● ○	24V / 2.52W 24V / 3.60W	105mA 150mA
DFR2-30-120-1-X	126.5	30	106	28	30	● ● ● ● ● ● ○ ● ● ● ● ● ● ○	24V / 3.24W 24V / 4.32W	135mA 180mA
DFR2-45-050-1-X	50.8	8	25	19	45	● ● ● ● ○ ● ● ● ● ○	24V / 1.08W 24V / 1.44W	45mA 60mA
DFR2-45-070-1-X	76.2	21	52	25	45	● ● ● ● ● ○ ● ● ● ● ● ○	24V / 1.80W 24V / 2.52W	75mA 105mA
DFR2-45-100-1-X	100	30	80	33	45	● ● ● ● ● ● ○ ● ● ● ● ● ● ○	24V / 2.52W 24V / 3.60W	105mA 150mA
DFR2-45-120-1-X	126.5	30	106	42	45	● ● ● ● ● ● ● ○ ● ● ● ● ● ● ● ○	24V / 3.24W 24V / 4.32W	135mA 180mA

Remark: 2 types of white are available- W: Cool White WW: Yellowish White