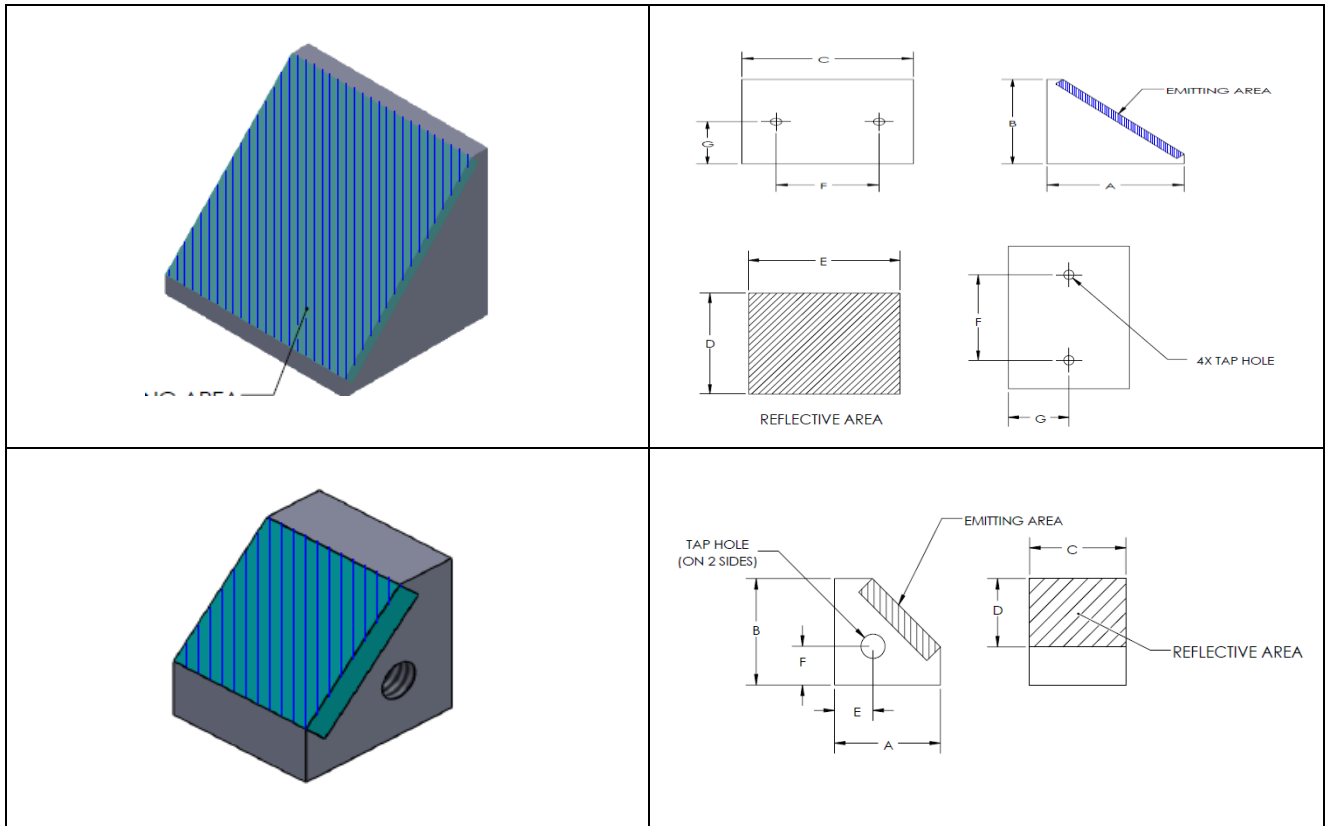


PRISM BLOCK SERIES -

- First Surface Mirror Prism Block



MODEL	DIMENSIONS (MM)							
	A	B	C	D	E	F	G	TAP HOLE
PM 14X20	18.0	18.0	20.0	14.1	20.0	10.0	9.0	M3
PM 35X50	40.0	40.0	50.0	35.4	50.0	30.0	20.0	M4
PM 53X50	58.0	58.0	50.0	53.0	50.0	30.0	29.0	M4

MODEL	DIMENSIONS (MM)						
	A	B	C	D	E	F	TAP HOLE
PM 7X10	11.0	11.0	10.0	7.1	4.0	4.0	M3