


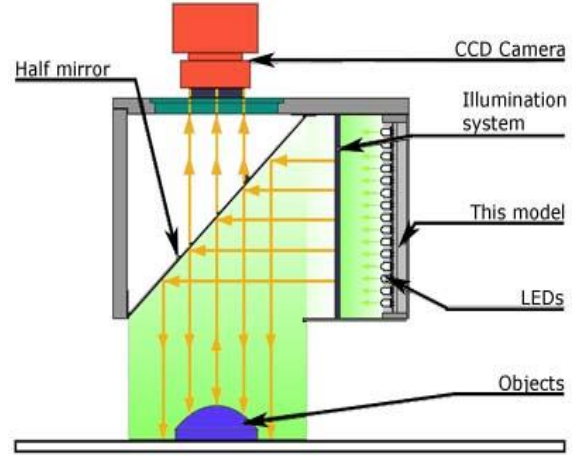
# COAXIAL ILLUMINATION

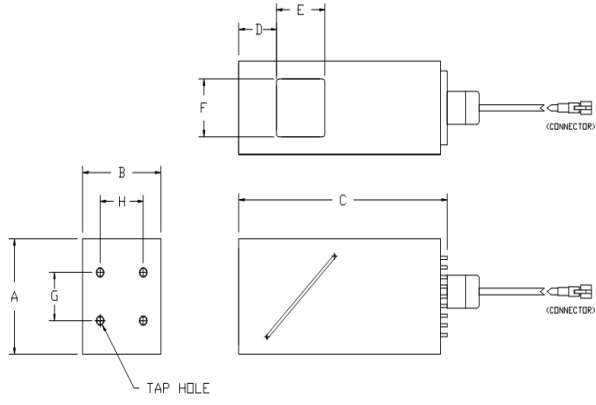
## CAS SERIES – Even Co-axial Light

- CAS series provide co-axial illumination for tele-centric lenses. The lights are reflected by 45 degrees half mirror to provide light in line with the camera.

**Application:** surface inspection and alignment, wafer, metal surface, film, LCD and glass, pattern on PCB.







**Technical specification:**

- Color Red, Green, Blue and White
- 24V DC Input Power
- Continuous and Strobe Applications
- Compact Size
- Lighting Cable 500mm

**Customize Lighting:**

- Customize Sizes, Mounting requirements
- Color and Voltage Available
- Consult Technical Sales for More Information

MODEL	DIMENSION (MM)									COLOR	VOLTAGE/ WATT	CURRENT
	A	B	C	D	E	F	G	H	TAP HOLE			
CAS-00-010-X-X	36.0	29.0	77.4	14.0	18.0	18.0	15.0	16.0	M3		24V/1.08W 24V/1.80W	45mA 75mA
CAS-00-020-X-X	46.0	39.0	87.3	15.5	25.0	24.0	20.0	20.0	M4		24V/2.16W 24V/2.16W	90mA 90mA
CAS-00-025-X-X	33.0	33.0	54.0	8.0	25.0	25.6	16.0	15.0	M3		24V/2.16W 24V/2.88W	90mA 120mA
CAS-00-040-X-X	66.0	60.0	107.5	14.0	48.0	48.0	25.0	25.0	M5		24V/3.96W 24V/7.20W	165mA 300mA
CAS-00-070-X-X	95.0	89.0	139.6	21.2	70.0	70.0	50.0	50.0	M5		24V/12.96W 24V/12.96W	540mA 540mA
CAS-00-080-X-X	81.0	104.0	125.5	12.2	65.0	84.0	45.0	50.0	M5		24V/10.80W 24V/13.68W	450mA 570mA
CAS-00-100-X-X	123.8	120.0	168.7	18.2	100.0	100.0	50.0	50.0	M5		24V/13.68W 24V/22.68W	570mA 945mA