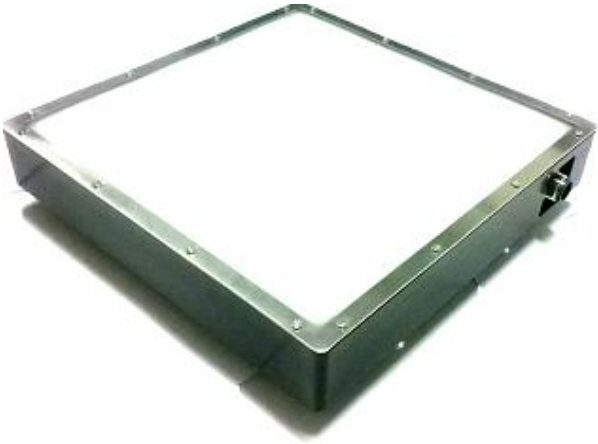
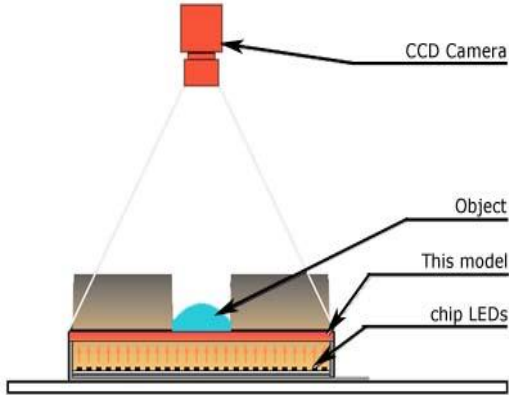
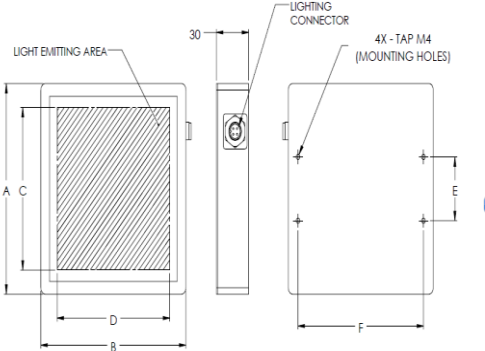


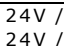
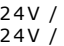
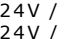
## Ingress Protection Illumination (IP)

### BHP SERIES – Ingress Protection High Intensity Back Light

- BHP series is a Ingress Protection Illuminator which LED are arranged in a dense array and shine into a diffuser. The even light shines from the diffuser provides area illumination.

**Application:** lead frame inspection, shape recognition, size measurement.

	
	<p><b>Technical specification:</b></p> <ul style="list-style-type: none"> <li>- Color Red, Green, Blue and White</li> <li>- 24V DC Input Power</li> <li>- Continuous and Strobe Applications</li> <li>- Compact Size</li> <li>- Lighting Cable 500mm</li> </ul> <p><b>Customize Lighting:</b></p> <ul style="list-style-type: none"> <li>- Customize Sizes, Mounting requirements</li> <li>- Color and Voltage Available</li> <li>- Consult Technical Sales for More Information</li> </ul>

MODEL	DIMENSIONS (MM)						COLOR	VOLTAGE/ WATT	CURRENT
	A	B	C	D	E	F			
<b>BHP1010-X-X</b>	132.0	134.0	102.0	104.0	40.0	116.0		24V / 9.12W 24V / 6.84W	380mA 285mA
<b>BHP1515-X-X</b>	180.0	180.0	150.0	150.0	75.0	163.0		24V / 18.48W 24V / 20.16W	770mA 840mA
<b>BHP1520-X-X</b>	180.0	230.0	150.0	200.0	75.0	213.0		24V / 23.04W 24V / 30.24W	960mA 1260mA